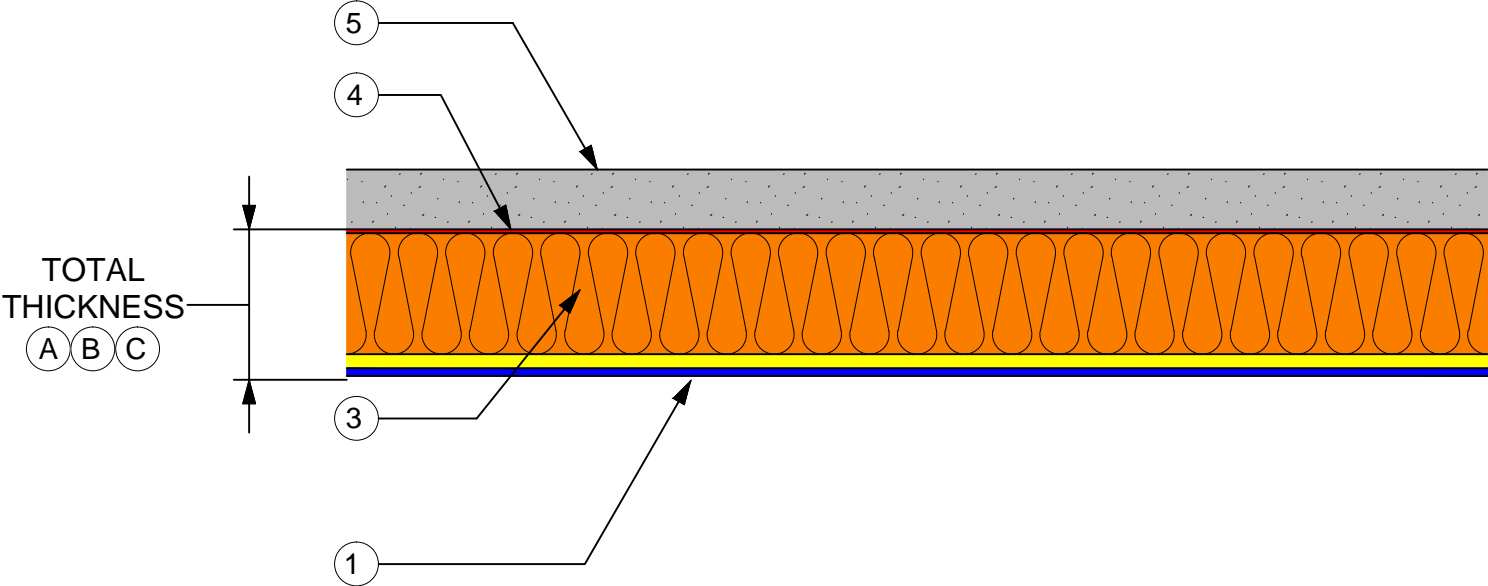


BASWAphon Base Finish

ACOUSTIC MATERIAL DETAIL #1

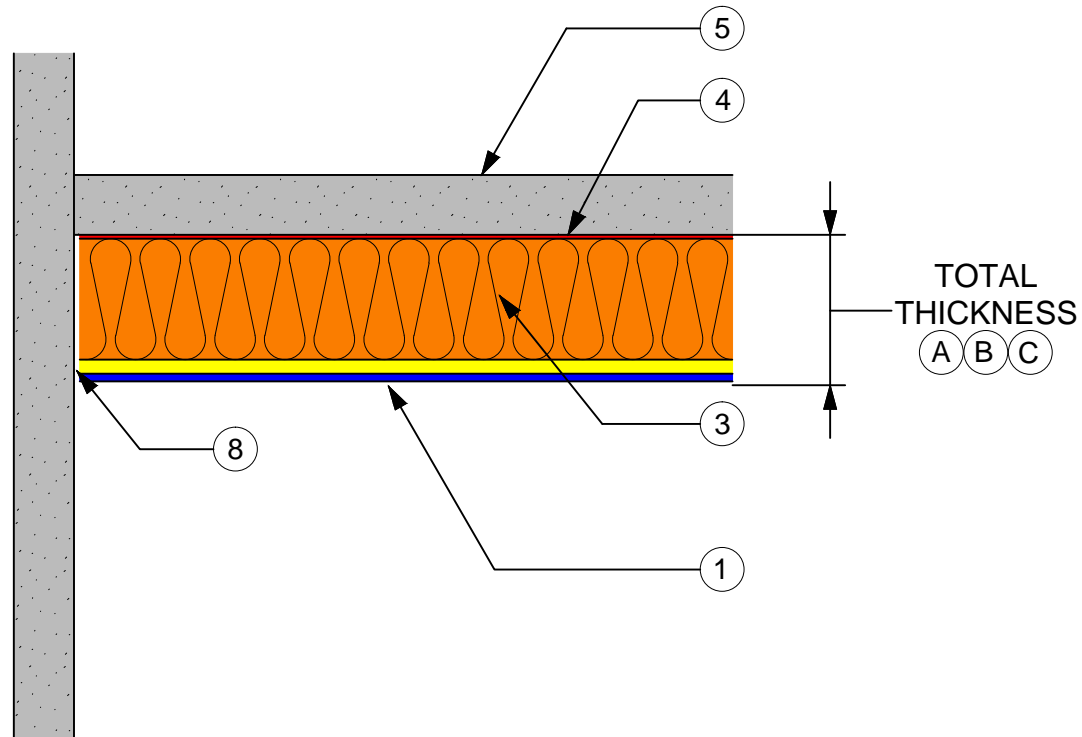


- 1 BASWAphon Base
- 3 BASWAphon Pre-Coated Supporting Panel
- 4 BASWAphon Adhesive
- 5 Stable Substrate

DIMENSIONS			
SYSTEM	A	B	C
TOTAL THICKNESS	1 3/16" (30MM)	1 9/16" (40MM)	2 3/4" (70MM)

BASWAphon Base Finish

CEILING TO WALL TRANSITION DETAIL #2

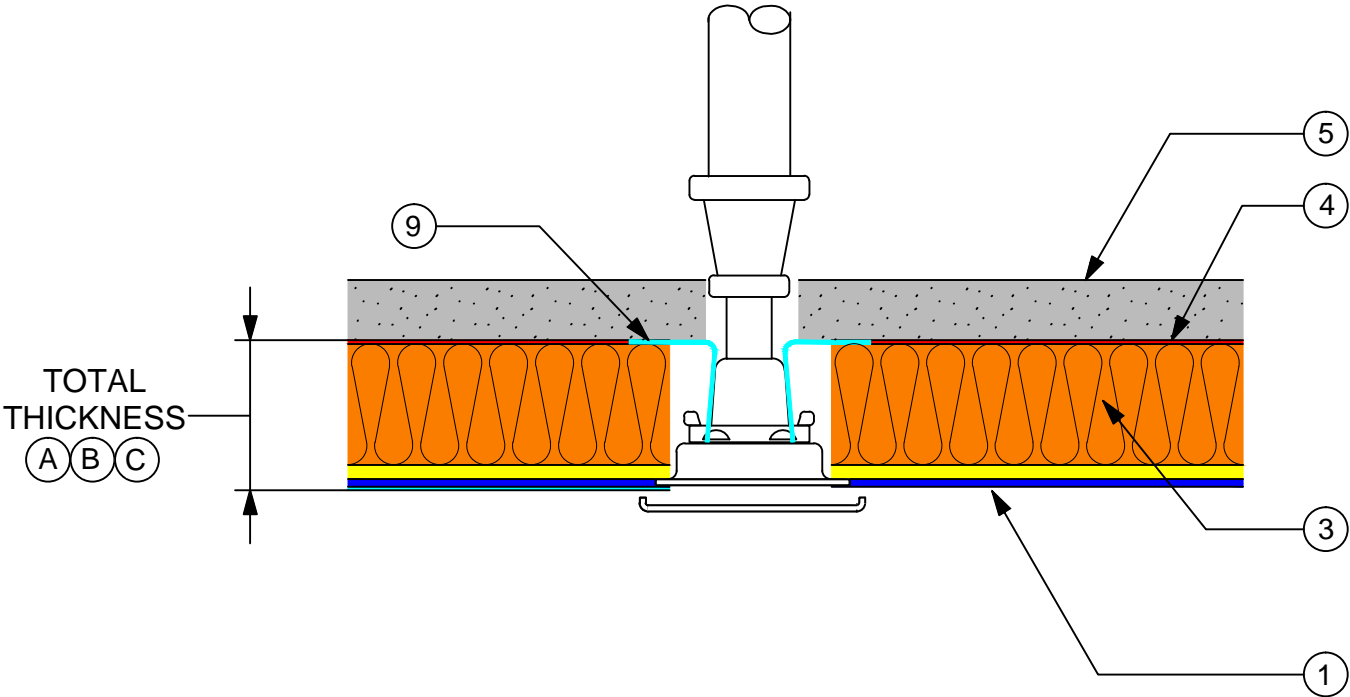


- 1 BASWAphon Base
- 3 BASWAphon Pre-Coated Supporting Panel
- 4 BASWAphon Adhesive
- 5 Stable Substrate
- 8 1/8" Swedish Cut

DIMENSIONS			
SYSTEM	(A)	(B)	(C)
TOTAL THICKNESS	1 3/16" (30MM)	1 9/16" (40MM)	2 3/4" (70MM)

BASWaphon Base Finish

FIRE SPRINKLER HEAD DETAIL #3

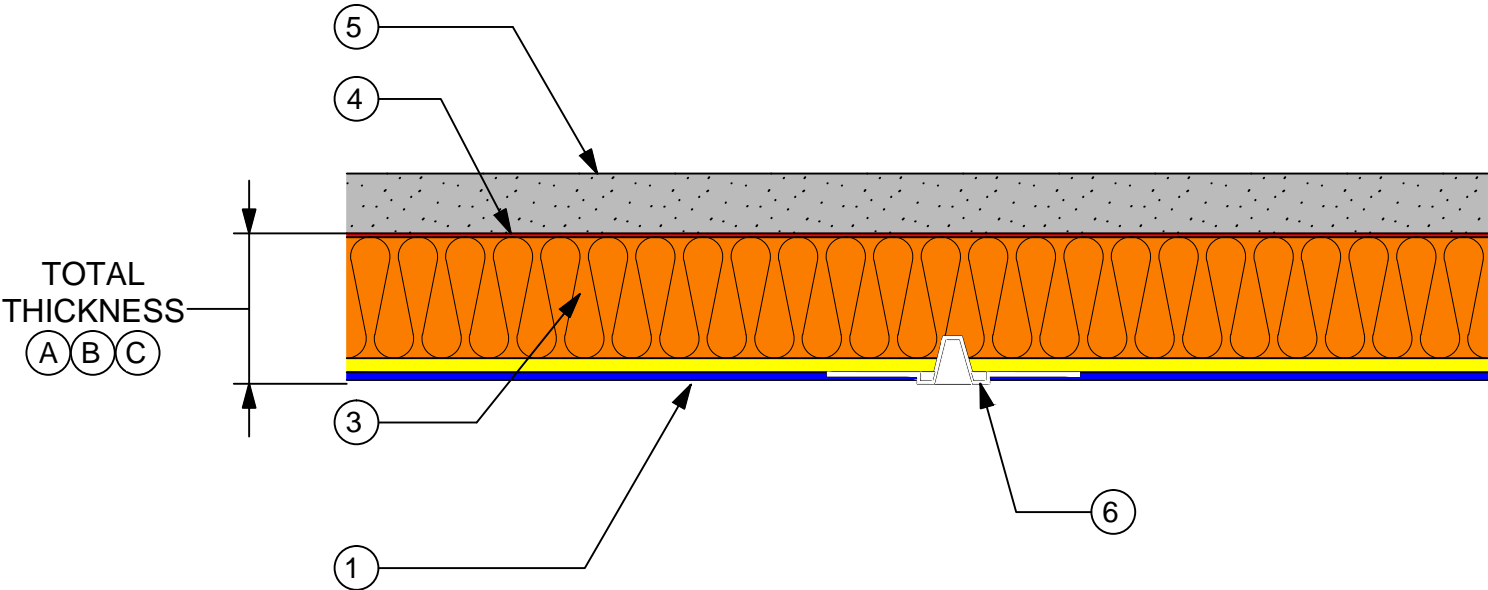


- 1 BASWaphon Base
- 3 BASWaphon Pre-Coated Supporting Panel
- 4 BASWaphon Adhesive
- 5 Stable Substrate
- 9 Adhesive Tape (to prevent air filtration)

DIMENSIONS			
SYSTEM	(A)	(B)	(C)
TOTAL THICKNESS	1 3/16" (30MM)	1 9/16" (40MM)	2 3/4" (70MM)
FIXTURE ROUGH-IN BELOW FACE OF SUBSTRATE	1"	1 3/8"	2 9/16"

BASWAphon Base Finish

EXPANSION JOINT DETAIL #4

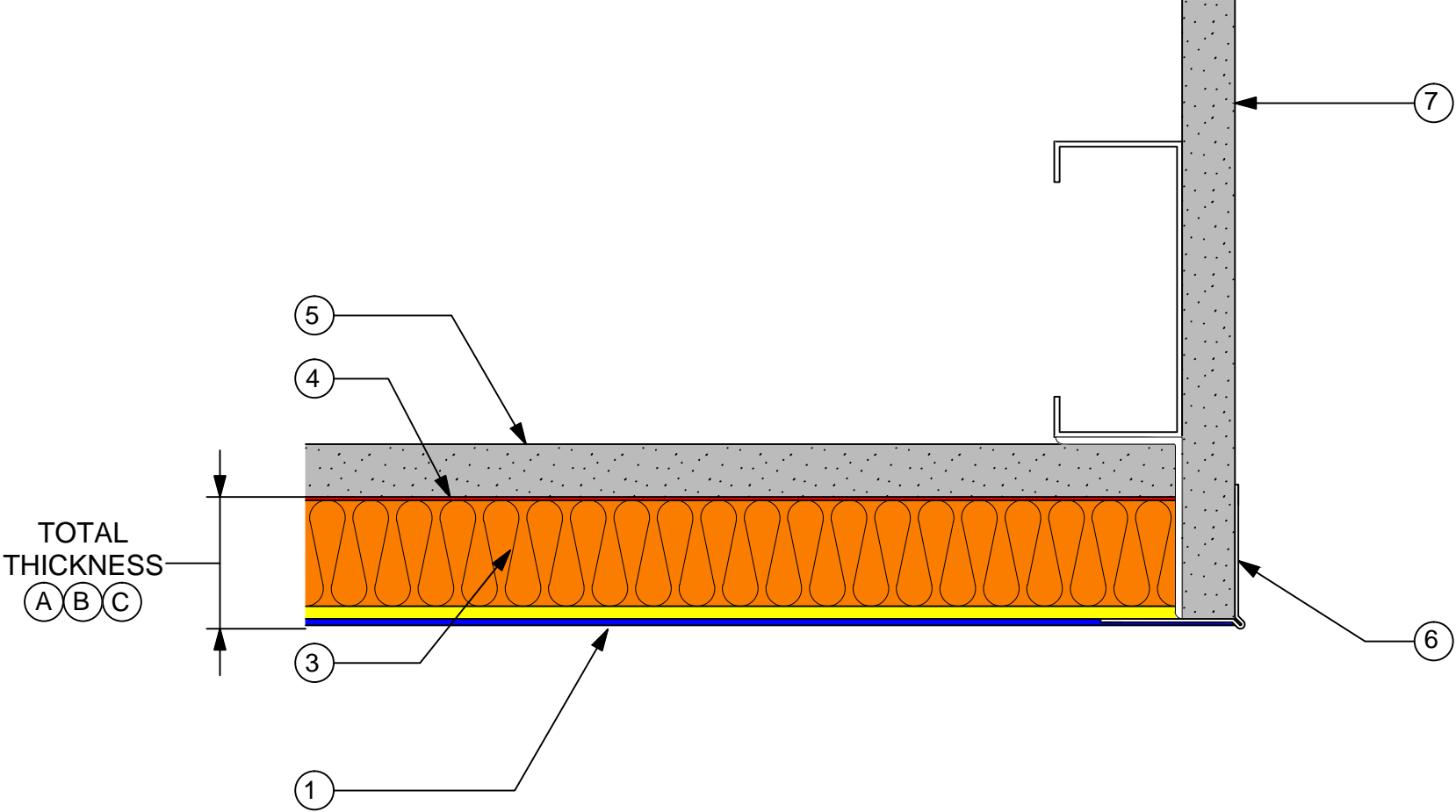


- 1 BASWAphon Base
- 3 BASWAphon Pre-Coated Supporting Panel
- 4 BASWAphon Adhesive
- 5 Stable Substrate
- 6 White Vinyl Trim - Trim Tex 093V - Expansion Joint

DIMENSIONS			
SYSTEM	A	B	C
TOTAL THICKNESS	1 3/16" (30MM)	1 9/16" (40MM)	2 3/4" (70MM)

BASWaphon Base Finish

OUTSIDE CORNER DETAIL #5

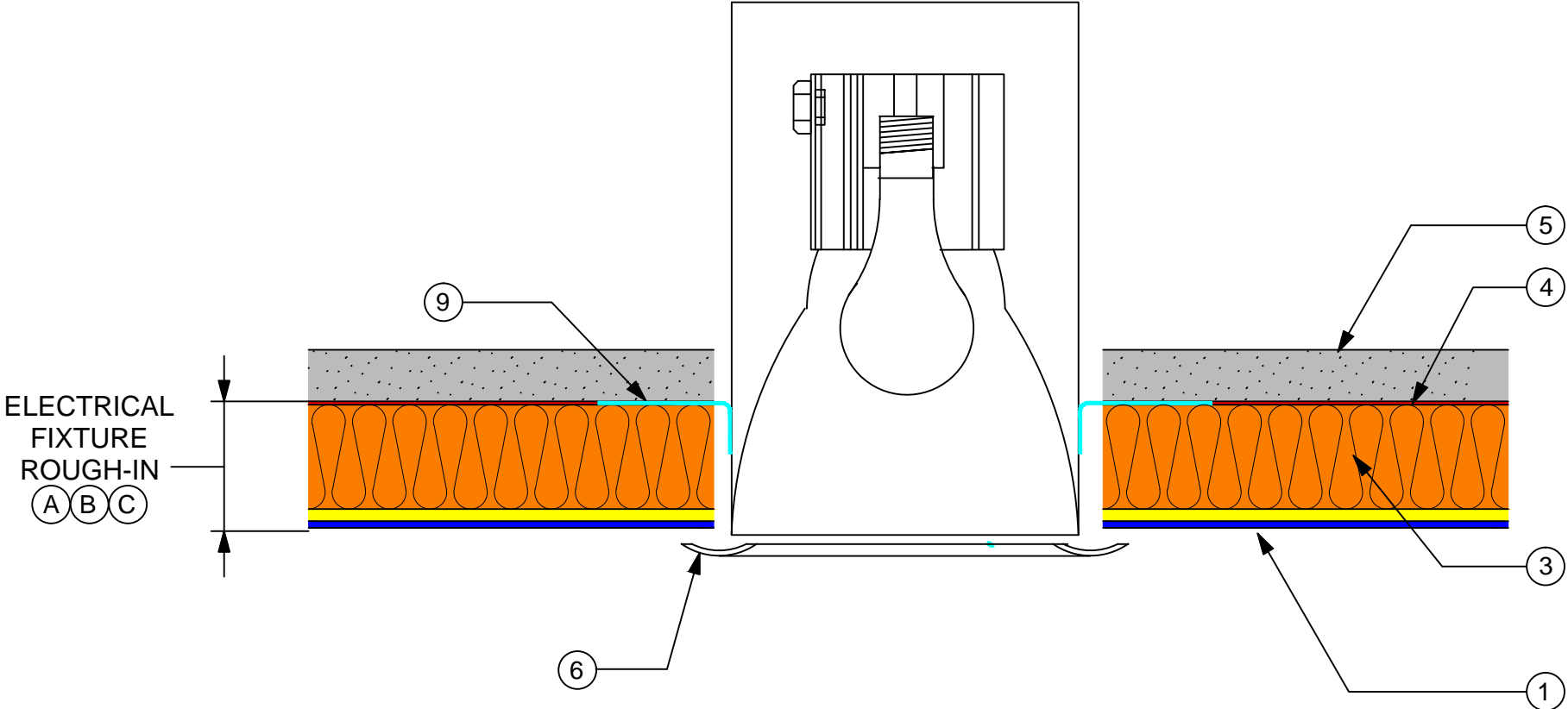


- 1 BASWaphon Base
- 3 BASWaphon Pre-Coated Supporting Panel
- 4 BASWaphon Adhesive
- 5 Stable Substrate
- 6 White Vinyl Trim - Trim Tex S010 Corner Bead
- 7 Drywall , Finished and Painted

DIMENSIONS			
SYSTEM	(A)	(B)	(C)
TOTAL THICKNESS	1 3/16" (30MM)	1 9/16" (40MM)	2 3/4" (70MM)
DRYWALL OVERHANG BELOW FACE OF SUBSTRATE	1"	1 3/8"	2 9/16"

BASWaphon Base Finish

RECESSED LIGHT DETAIL #6

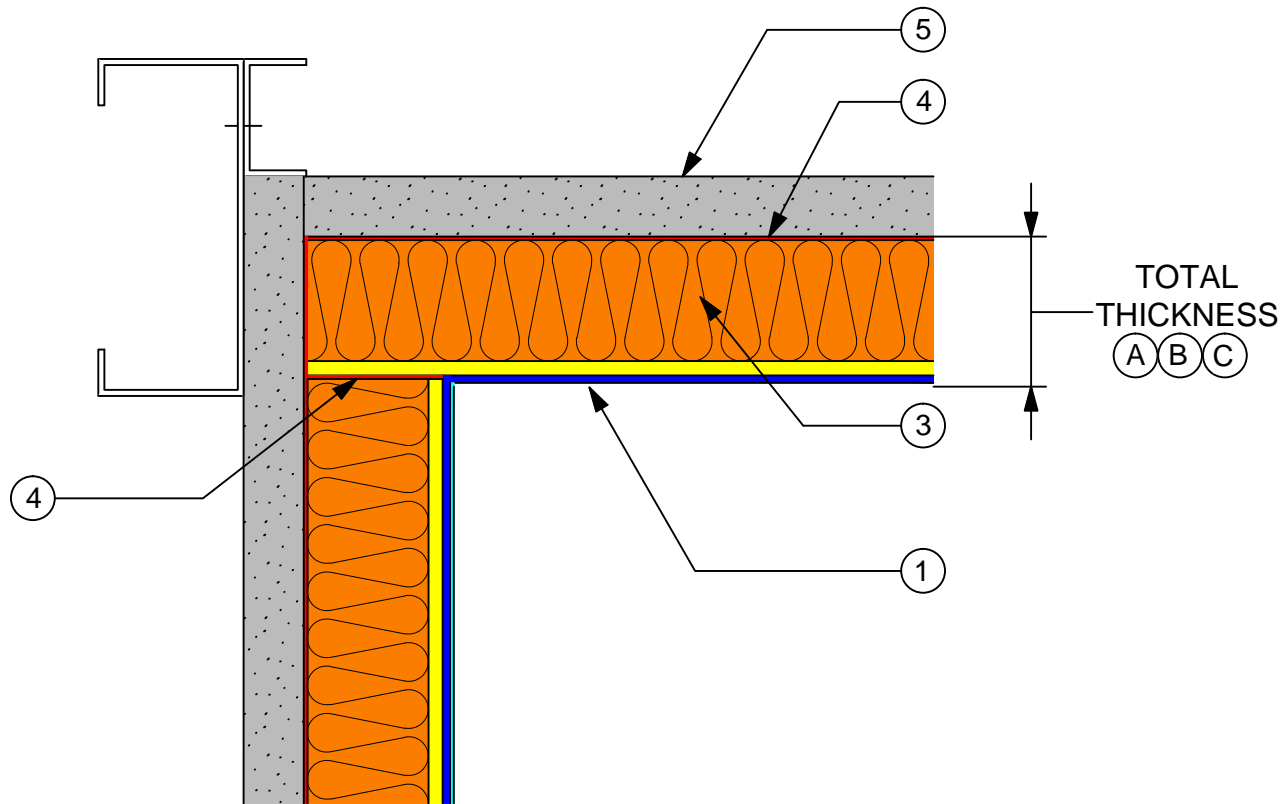


- 1 BASWaphon Base
- 3 BASWaphon Pre-Coated Supporting Panel
- 4 BASWaphon Adhesive
- 5 Stable Substrate
- 6 Surface Mounted Trim Piece
- 9 Adhesive Tape (to prevent air filtration)

DIMENSIONS			
SYSTEM	(A)	(B)	(C)
TOTAL THICKNESS	1 3/16" (30MM)	1 9/16" (40MM)	2 3/4" (70MM)
FIXTURE ROUGH IN BELOW FACE OF SUBSTRATE	1"	1 3/8"	2 9/16"

BASWAphon

INSIDE CORNER DETAIL: BASWAphon to BASWAphon DETAIL #7

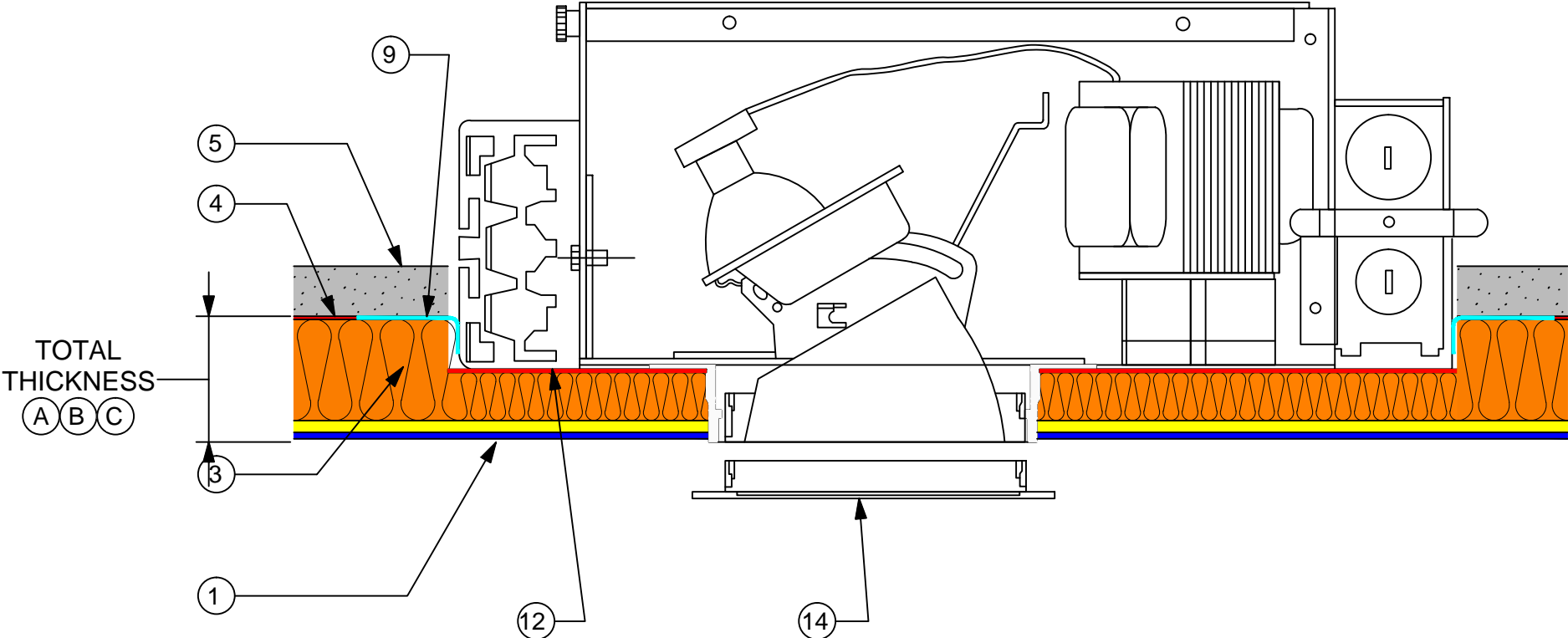


- 1 BASWAphon Base
- 3 BASWAphon Pre-Coated Supporting Panel
- 4 BASWAphon Adhesive
- 5 Stable Substrate

DIMENSIONS			
SYSTEM	(A)	(B)	(C)
TOTAL THICKNESS	1 3/16" (30MM)	1 9/16" (40MM)	2 3/4" (70MM)

BASWaphon Base Finish

RECESSED LIGHT FIXTURE DETAIL #11

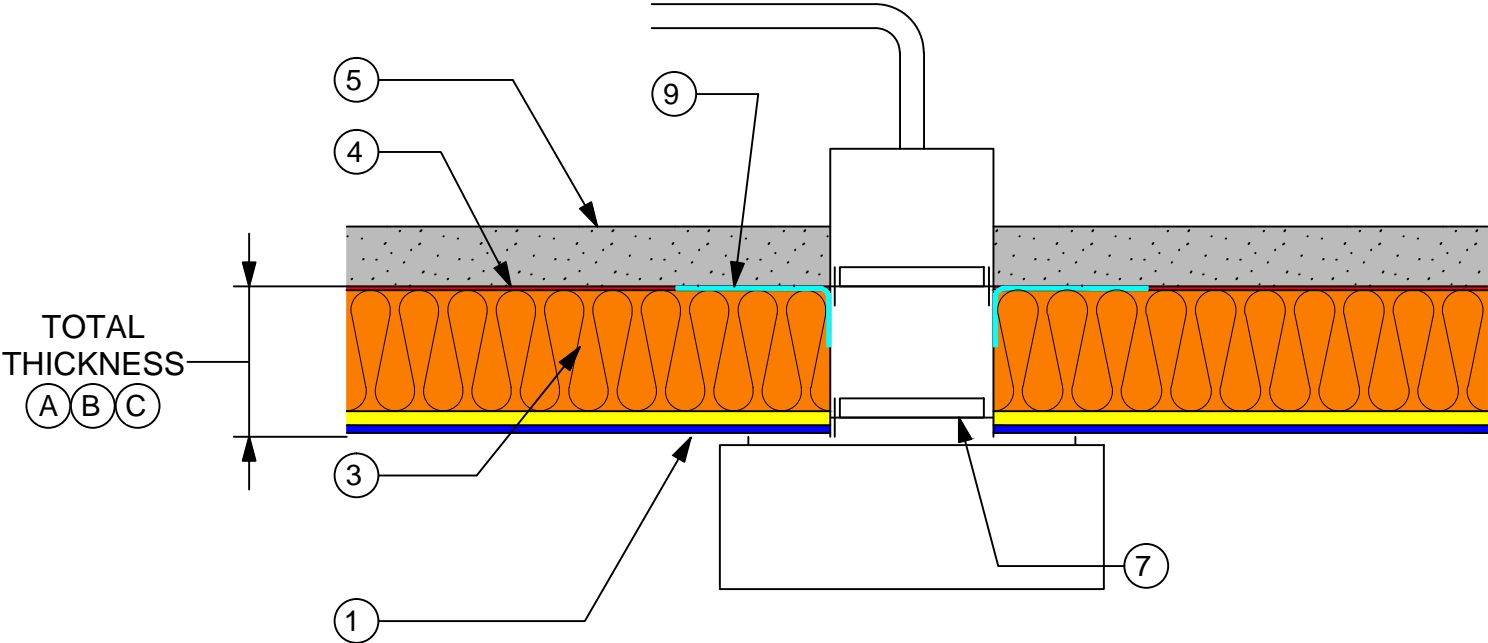


- 1 BASWaphon Base
- 3 BASWaphon Pre-Coated Supporting Panel
- 4 BASWaphon Adhesive
- 5 Stable Substrate
- 9 Adhesive Tape (to prevent air filtration)
- 12 Cut Out Back of Panel
- 14 Surface Mounted Trim Piece

DIMENSIONS			
SYSTEM	(A)	(B)	(C)
TOTAL THICKNESS	1 3/16" (30MM)	1 9/16" (40MM)	2 3/4" (70MM)
FIXTURE ROUGH IN BELOW FACE OF SUBSTRATE	1"	1 3/8"	2 9/16"

BASWaphon Base Finish

CEILING MOUNTED FIXTURE #12

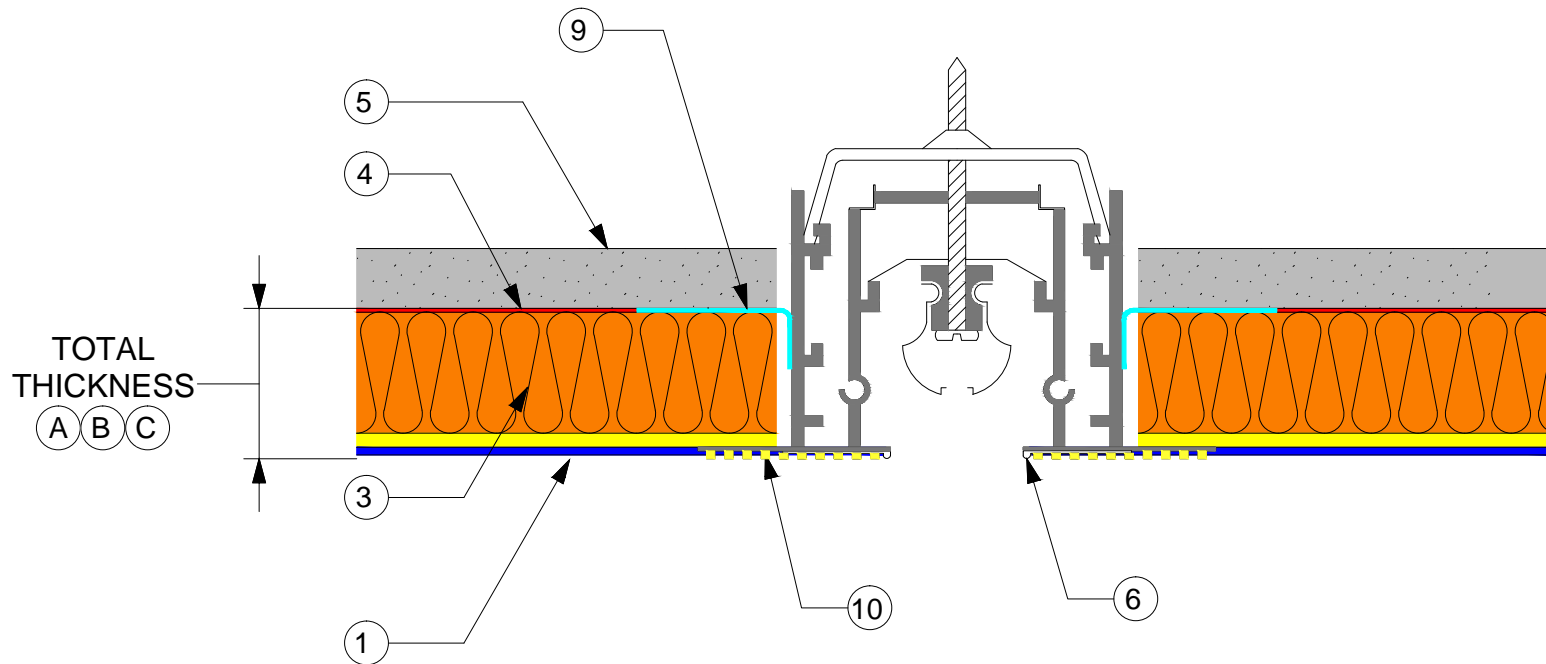


- 1 BASWaphon Base
- 3 BASWaphon Pre-Coated Supporting Panel
- 4 BASWaphon Adhesive
- 5 Stable Substrate
- 7 Electrical Junction Box Extension
- 9 Adhesive Tape (to prevent air infiltration)

DIMENSIONS			
SYSTEM	(A)	(B)	(C)
TOTAL THICKNESS	1 3/16" (30MM)	1 9/16" (40MM)	2 3/4" (70MM)
FIXTURE ROUGH IN BELOW FACE OF SUBSTRATE	1"	1 3/8"	2 9/16"

BASWaphon Base Finish

TRIMLESS LINEAR DIFFUSER DETAIL #14

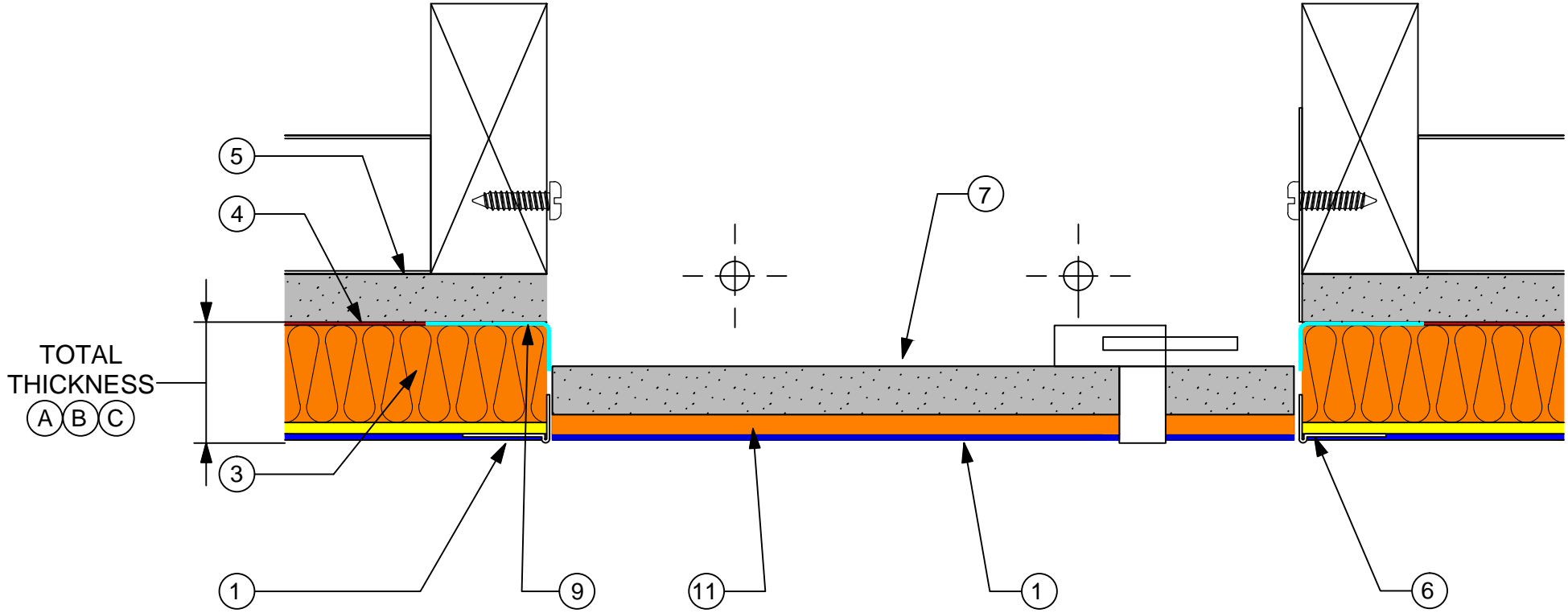


- 1 BASWaphon Base
- 3 BASWaphon Pre-Coated Supporting Panel
- 4 BASWaphon Adhesive
- 5 Stable Substrate
- 6 White Vinyl Trim - Trim Tex 9000 Flat Bead
- 9 Adhesive Tape (to prevent air filtration)
- 10 Fiberglass Mesh Tape

DIMENSIONS			
SYSTEM	(A)	(B)	(C)
TOTAL THICKNESS	1 3/16" (30MM)	1 9/16" (40MM)	2 3/4" (70MM)
DRYWALL OVERHANG BELOW FACE OF SUBSTRATE	1"	1 3/8"	2 9/16"

BASWaphon Base Finish

ACCESS PANEL DETAIL #15

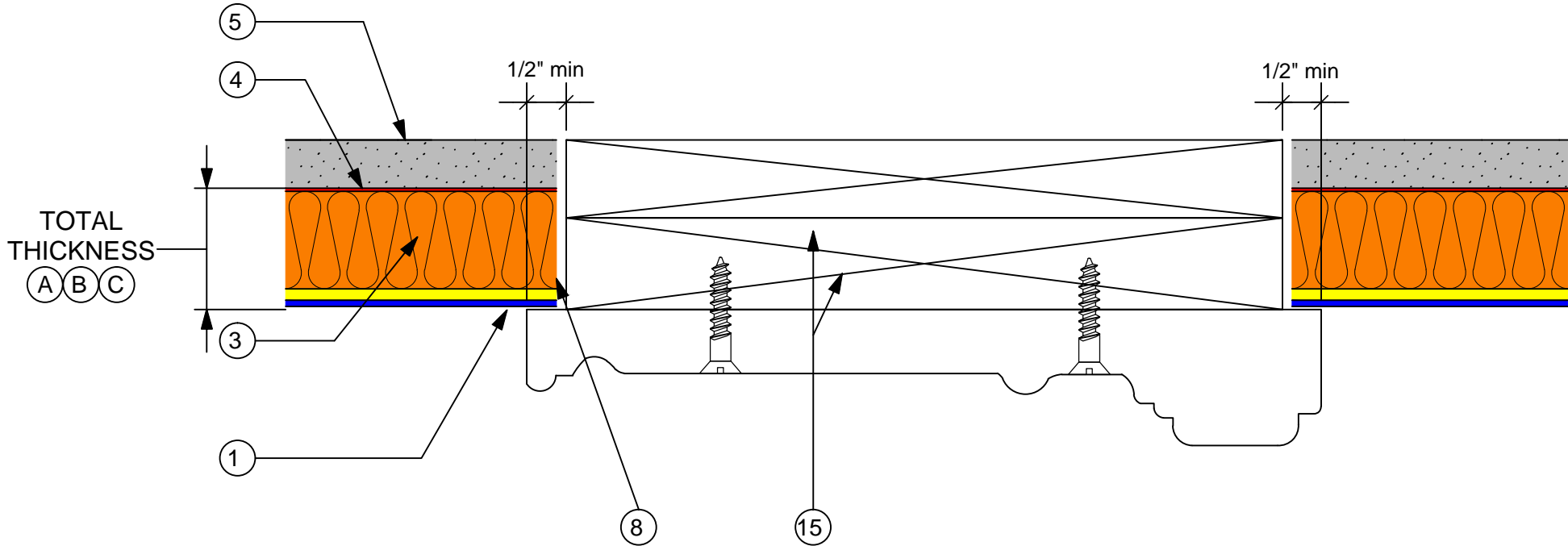


- 1 BASWaphon Base
- 3 BASWaphon Pre-Coated Supporting Panel
- 4 BASWaphon Adhesive
- 5 Stable Substrate
- 6 White Vinyl Trim - Trim Tex 3310
- 7 5/8" Drywall
- 9 Adhesive Tape (to prevent air infiltration)
- 11 BASWaphon Fill
- 14 Access Door (Acudor AT-5020)

DIMENSIONS			
SYSTEM	A	B	C
TOTAL THICKNESS	1 3/16" (30MM)	1 9/16" (40MM)	2 3/4" (70MM)
ACCESS PANEL ROUGH IN BELOW FACE OF SUBSTRATE	1 3/16"	1 9/16"	2 3/4"

BASWaphon Base Finish

APPLIED MOLDING DETAIL #19

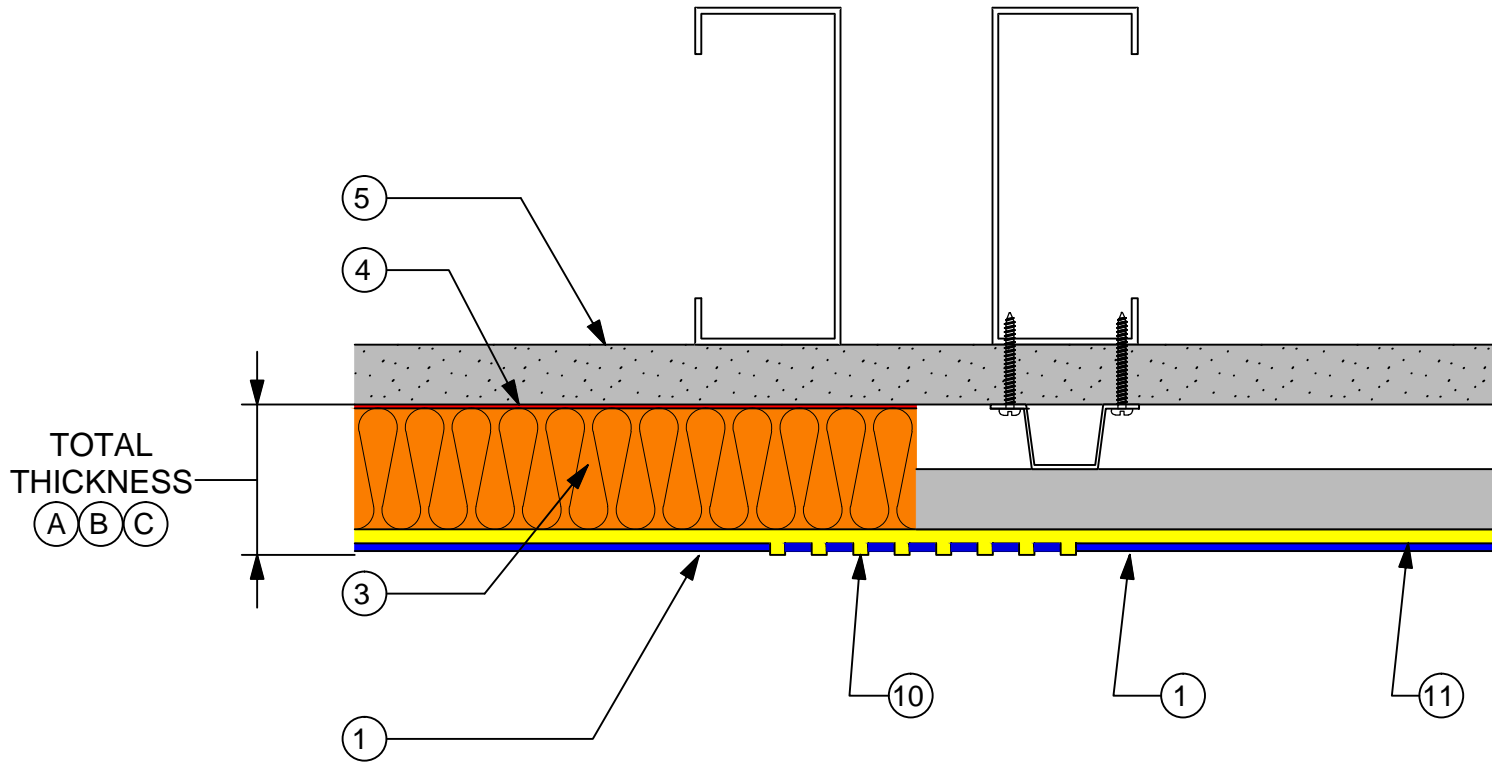


- 1 BASWaphon Base
- 3 BASWaphon Pre-Coated Supporting Panel
- 4 BASWaphon Adhesive
- 5 Stable Substrate
- 8 1/8" Swedish Cut
- 15 Blocking

DIMENSIONS			
SYSTEM	(A)	(B)	(C)
TOTAL THICKNESS	1 3/16" (30MM)	1 9/16" (40MM)	2 3/4" (70MM)
BLOCKING ROUGH IN BELOW FACE OF SUBSTRATE	1 1/16"	1 1/2"	2 9/16"

BASWaphon Base Finish

BASWaphon DRYWALL TRANSITION DETAIL #21

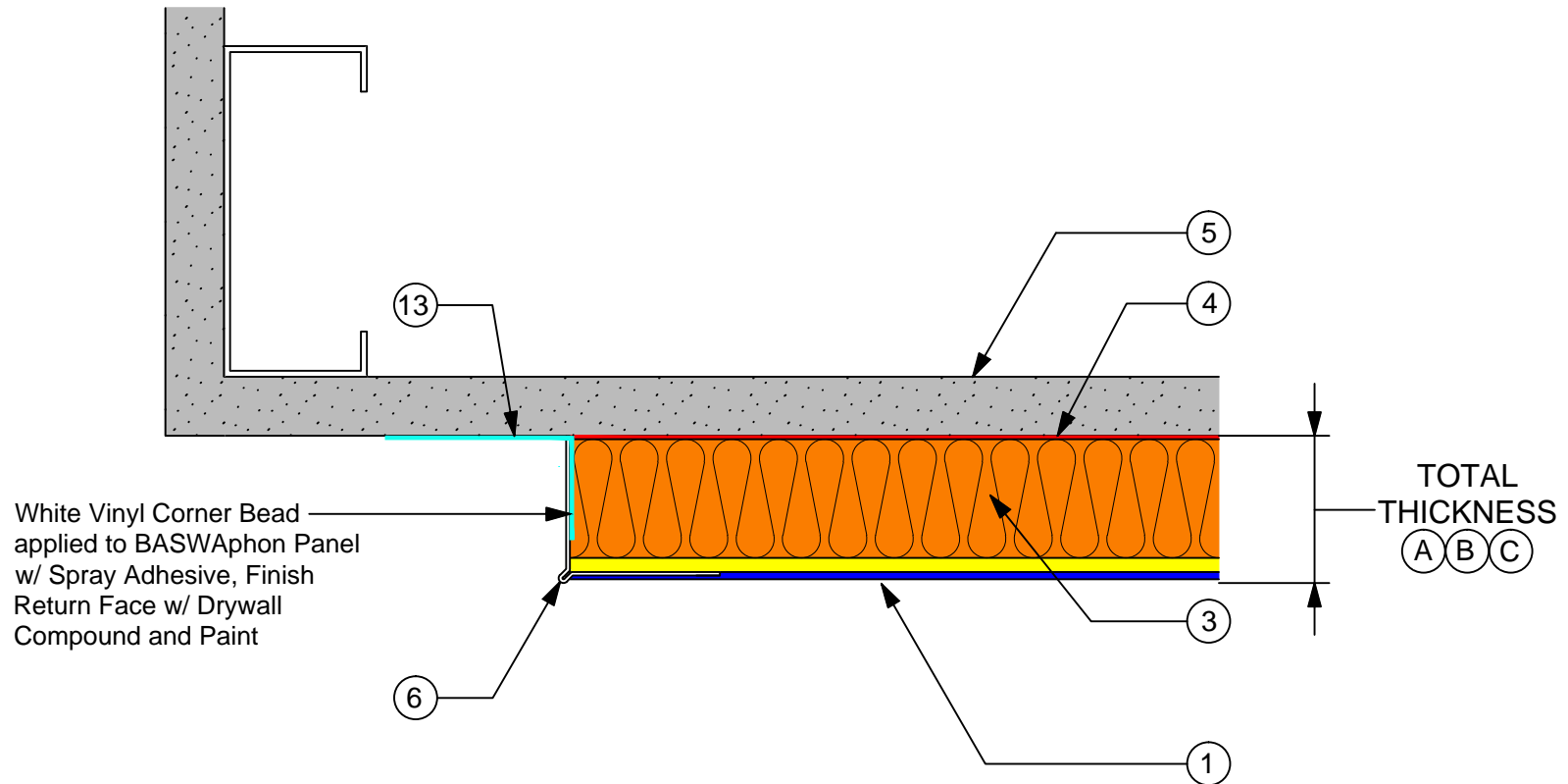


- 1 BASWaphon Base
- 3 BASWaphon Pre-Coated Supporting Panel
- 4 BASWaphon Adhesive
- 5 Stable Substrate
- 10 Fiberglass Mesh Tape
- 11 BASWaphon Fill

DIMENSIONS			
SYSTEM	(A)	(B)	(C)
TOTAL THICKNESS	1 3/16" (30MM)	1 9/16" (40MM)	2 3/4" (70MM)

BASWaphon Base Finish

TERMINATION DETAIL (FINISH AND PAINT) #26



- 1 BASWaphon Base
- 3 BASWaphon Pre-Coated Supporting Panel
- 4 BASWaphon Adhesive
- 5 Stable Substrate
- 6 White Vinyl Trim, Trim Tex S010 Corner Bead
- 13 Drywall Joint Tape Applied with Joint Compound

DIMENSIONS			
SYSTEM	(A)	(B)	(C)
TOTAL THICKNESS	1 3/16" (30MM)	1 9/16" (40MM)	2 3/4" (70MM)